

**CODE NUMBER**

24601000

**DESCRIPTION**

ST-2469 Water Closet and ROYAL 952 Flushometer.

**COMPONENTS**

- Flushometer: Code 3914868
- Water Closet: Code 2102469

**DETAILS**

- Flush Volume: 1.28 gpf (4.8 Lpf)
- Nominal Dimensions: 26 ¾" x 15" x 16 ¾" (679 x 381 x 425mm)

**FLUSHOMETER FEATURES**

- ADA Compliant Non-Hold-Open feature type Actuator MBFW
- Adjustable Ground Joint Tailpiece
- Fixed Metering Bypass and No External Volume Adjustment to Ensure Water Conservation.
- Non-Hold-Open Handle, Fixed Metering Bypass and No External Volume Adjustment to Ensure Water Conservation.
- Dual Filtered Bypass Diaphragm
- 1" I.P.S. Wheel Handle Bak-Chek® Angle Stop
- Diaphragm, Stop Seat and Vacuum Breaker to be molded from PERMEX® rubber compound for Chloramine resistance

**FIXTURE FEATURES**

- White Vitreous China
- Elongated bowl
- Wall mounted, wall outlet
- Siphon jet flushing action achieves 1000g Map score when used with any Sloan flushometer
- Static load rating of 750 lbs (see Notes)
- Water spot area: 10⅞" x 9⅜" (26 cm x 24 cm)
- 1½ I.P.S. rear spud inlet
- 2⅝" fully glazed trapway
- Toilet seat not included
- Static load rating of 750 lbs. (See Notes)



**COMPLIANCES & CERTIFICATIONS**



(BAA Compliant, cUPC Green Certified, WaterSense Listed, ADA Compliant, Satisfies LEED Credits)

**DOWNLOADS**

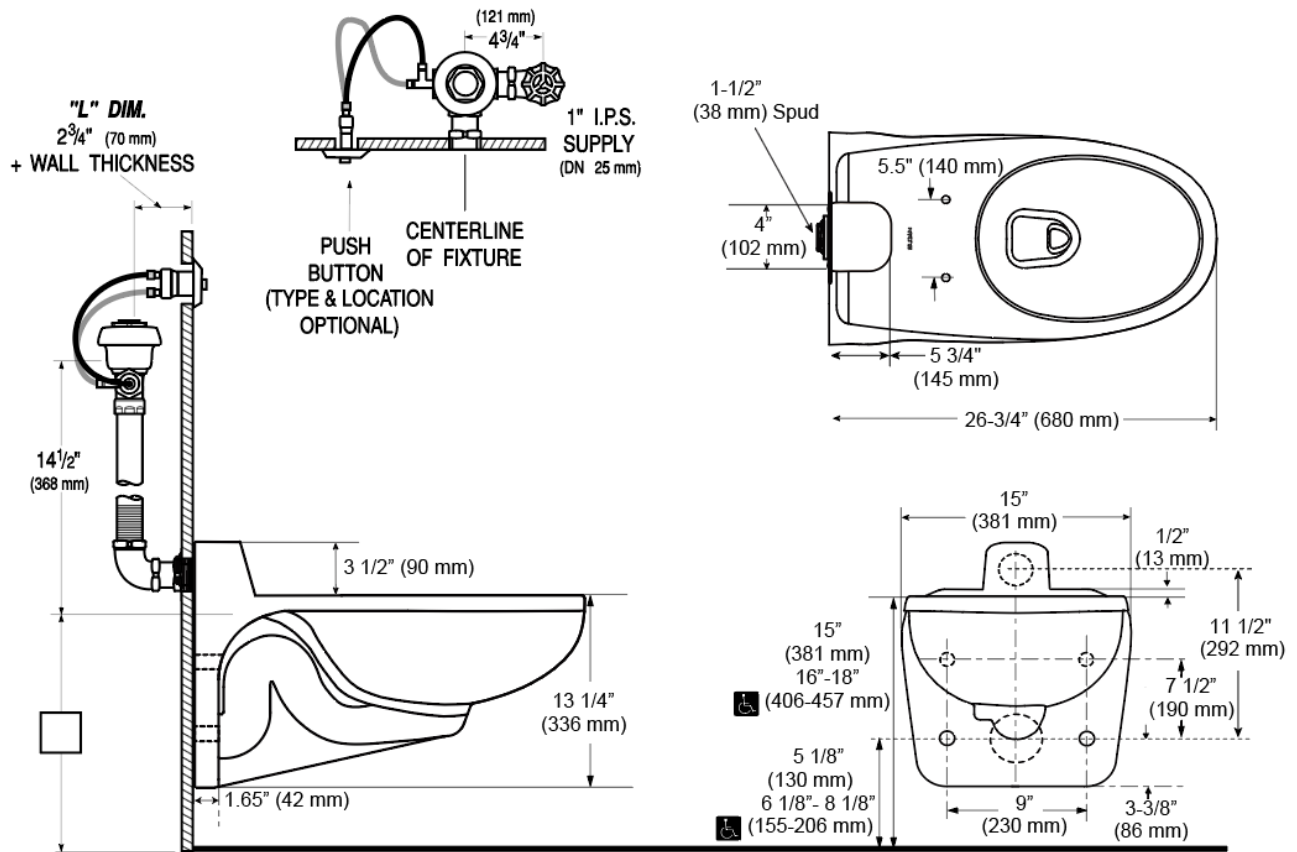
- [Royal/Regal Series 900 Hydraulic Installation Instructions](#)
- [ST-2469 Installation Instructions](#)
- [SS/ST/SU/WETS/WEUS Fixtures Repair and Maintenance Guide](#)
- [Hydraulic Push Button Options](#)
- [Additional Downloads](#)

**NOTES**

All information contained within this document subject to change without notice.

Static load tested according to the procedure outlined in Section 6.7 of ASME A112.19.2. Not recommended for bariatric use.

**ROUGH-IN**



Sloan 10500 Seymour Ave, Franklin Park, IL 60131  
Phone: 800.982.5839 • Fax: 800.447.8329 • [sloan.com](http://sloan.com)